

RESISTANCE BULBS MODEL NR-110

***GENERAL SPECIFICATION**

PROBE TYPE METAL TUBE TYPE

TRANSITION SLEEVE WITH TEFLON INSULATED LEAD WIRE

MOUNTING TYPE COMPRESSION FITTING

***ORDER SPECIFICATION**

ELEMENT

① CALIBRATION

1.Pt 100 SINGLE 2.Pt 100 DUAL

3.KPt 100 SINGLE 4.KPt 100 DUAL

5. OTHER []

② GRADE

1. KS-B CLASS 2. KS-A CLASS

3. OTHER []

PROTECTION TUBE

③ MATERIAL

1. SUS304 2. SUS316 3. OTHER []

④ OUT DIA (φD)

1. 6.4 2. 8 3. 10 3. OTHER []

⑤ LENGTH (L)

_____ mm

LEAD WIRE

⑥ NUMBER OF LEAD WIRE

1. 2 WIRE 2. 3 WIRE

3. 4 WIRE 4. 6 WIRE

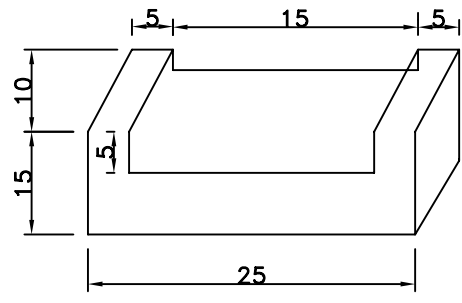
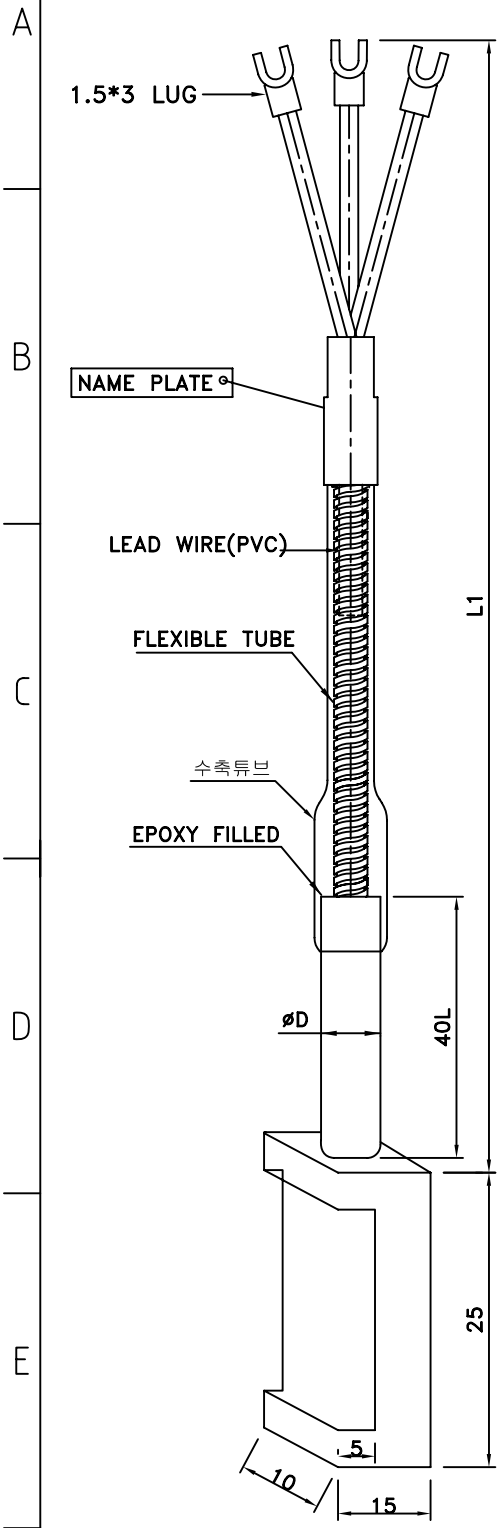
⑦ COVERD MATERIAL

1.NONE 2.METAL SHIELD 3.FLEXIBLE TUBE(SUS)

⑧ LENGTH (L1)

15000 _____ mm

SPECIAL REQUIREMENT



5					CUSTOMER POSCO	Design	Scale N.S
4						Checked	Wt Est - kg
3						Approved	Date 2011. 07. 20
2						TITLE	
1						MODEL	
Item	Part Name	Material	Q'ty	Remark			

